



LEGEND™ Heavy-Duty Gas Steakhouse Infrared Broiler with Plancha Top

Item No. _____

Project _____

Quantity _____

EC36SHBPL or EC45SHBPL Model



Model EC45SHBPL shown
with optional stainless steel sides

SHORT/BID SPECIFICATION

Broiler shall be a Montague **Legend** Heavy-Duty, **Steakhouse** Broiler with Plancha Top [Specify Model]

EC36SHBPL 914 mm Wide

EC45SHBPL 1143 mm Wide

...a gas-fired, infrared heated unit with 12.3 kW (44.3 MJ/h) cast iron burners with individual controls, heating ceramic radiants mounted below a Spanish-style plancha with raised 13mm thick precision-ground cook surface, 3-sided perimeter grease trough with drop to grease receptacle. The broiler has a counter-balanced, height-adjustable, chrome-plated steel cooking grid that is drawer-mounted for easy pull-out access, with a full width grease deflector and large capacity front-mounted grease container; enclosed in an insulated cabinet with stainless steel front and mounted on 635 mm high stainless steel modular stand with bottom shelf; plus all the features listed and options/accessories checked:

PLANCHA TOP FEATURES:

- 13 mm thick raised polished steel plate
- Interior grease container
- 3-sided grease trough
- Plate guard

BURNER/RADIANT SYSTEM FEATURES:

- 12.3 kW (44.3 MJ/h) cast iron burners
- Ceramic radiants for uniform infrared heating
- Individual burner controls
- Standing pilot for automatic ignition

MODEL GUIDE

✓	Model No.	Overall Width	Grids	Cooking Area	
				Broiler	Griddle
	C36SHBPL	914 mm	2	686 x 686 mm	838 x 711 mm
	C45SHBPL	1143 mm	3	889 x 686 mm	1067 x 711 mm

ROLL-OUT GRID FEATURES:

- Chrome plated steel grid sections: two on EC36 & three on EC45
- Counter-balanced grid assembly for easy height adjustment
- Infinite grid height adjustment from 51 to 127 mm
- Positive locking lift handle with cool ball-style grip
- Quiet, ball bearing mounted roll-out grid assembly
- Shielded horizontal grab-bar handle

STANDARD CONSTRUCTION FEATURES:

- Satin finish stainless steel front
- Broiler interior high-temp aluminized finish
- Other surfaces painted black with electrolytic zinc undercoating
- Full width grease deflector under rollout grid
- Extra-large capacity removable grease drawer [for broiler]
- 3/4" BPST rear gas manifold connection
- Stainless steel stand with 102 mm base and 533 mm tubular legs
- Height-adjustable bullet feet
- Stainless steel bottom shelf

STANDARD WARRANTY:

- Three Year, Parts & Labor

AGENCY APPROVALS

- NSF Listed
- CSA Design Certified to ANSI Z83.11*CSA 1.8
- Australian Gas Association Certificate Number 7466
- CE Approved



HDB-12 [Rev. 04/10]

LEGEND™ Heavy-Duty Gas Steakhouse Infrared Broiler with Plancha Top

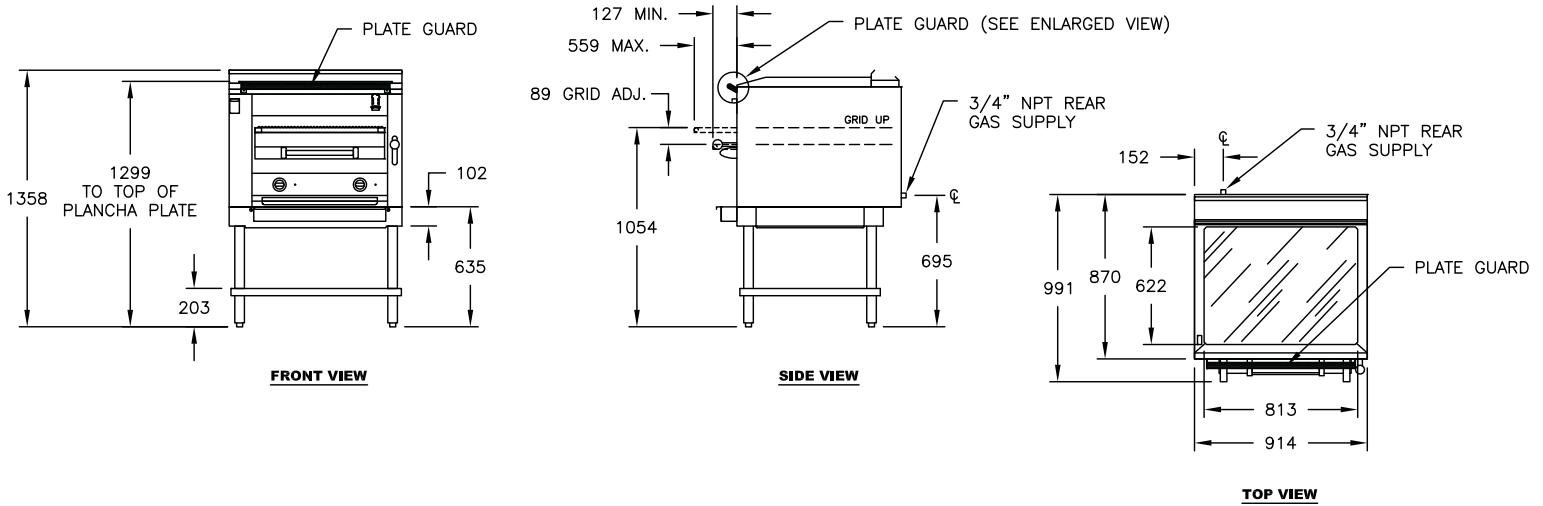
Item No. _____

Project _____

Quantity _____

EC36SHBPL or EC45SHBPL Model

Dimensions in brackets are millimeters



OPTIONS GUIDE:

Finish:

- Stainless steel full left side panel
- Stainless steel full right side panel
- Stainless steel back panel

General:

- Casters — set of four 127 mm casters

Plancha Plate:

- 19mm thick Plancha plate

INSTALLATION REQUIREMENTS & SHIPPING INFORMATION

- Broilers must be installed in accordance with local codes. Compliance with codes is the responsibility of the Owner and Installer.
- An adequate ventilation system is required.
- This appliance is intended for commercial use by professionally trained personnel. NOT intended for Residential Use.
- Specify installation elevation: _____ if above 610 m.
- GAS INLET SIZE (All Models): 3/4" BPST left-rear inlet. A 3/4" BPST gas pressure regulator is provided and must be installed (by others) when unit is connected to gas supply.
- The incoming gas line pressure into the regulator should be 20mbar (2.0 kPa*) for natural gas, and 37mbar (3.5 kPa*) for propane gas.

Minimum Clearances	Combustible Construction	Noncombustible Construction
From Back Wall	152 mm	0
Left & Right Side	152 mm	0
With 533 mm legs, suitable for use on combustible floor.		

Specify Type of Gas:		<input type="checkbox"/> Natural	<input type="checkbox"/> Propane	Shipping Weight	Shipping Class	Cube (Crated) m ³
Manifold Pressure:		15mbar (1.0 kPa*)	25mbar (2.75 kPa*)			
Models:	Burners	kW (MJ/h)	kW (MJ/h)			
EC36SHBPL	2	24.6 (88.6)	24.6 (88.6)	219 kg	85	1
EC45SHBPL	3	36.9 (132.9)	36.9 (132.9)	289 kg	85	1.3

*Australia

Uncrated entry clearance: 33-1/2" (851 mm)



THE MONTAGUE COMPANY

1830 Stearman Avenue, Hayward, CA 94545

800 345-1830 • Fax: 510 785-3342

www.montaguecompany.com

Due to continuous product improvements, specifications are subject to change without notice.



HDB-12 [Rev. 10/10]